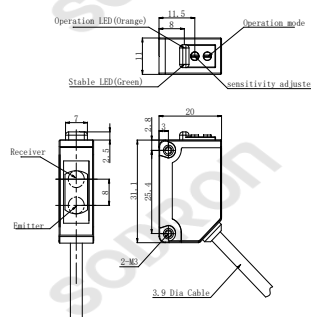




CE

Dimensions



Model	Technical parameters	
	Detection method	Retro-reflective
PF31V-R04BNSR PF31V-R04BPSR	Model	NPN PNP
		PF31V-R04BNSR PF31V-R04BPSR
	Sensing distance	4m (with a 40 x 60 mm reflector)
Product features	Standard target	> Φ 75mm (Opaque object)
<ul style="list-style-type: none"> • Retro-reflective • ASIC, Fast response, High frequency • IEC IP67 	Output mode	Light ON/Dark ON (Adjustable)
	Light source	620nm Red LED
	Supply power	DC 12~24V \pm 10% , impulse (P-P) < 10%
Connection	Directivity angle	2~10°
NPN	Residual voltage	< 2V (Load Current: \leq 100mA)
	Current consumption	< 12mA
	Load current	\leq 100mA
	Circuit protection	Power reverse indirection connection protection, short-circuit protection
	Response time	< 1ms
	Indicator light	Output LED: Orange LED, Power/stable: Green LED
PNP	Connection	Cable 2m
	Ambient temperature	Work: -25 ~ +55°C; Store: -30 ~ +70°C (No dew condensation or icing allowed)
	Ambient humidity	Work: 35 ~ 85%RH, Store: 35 ~ 95%RH, (No dew condensation)
	Ambient illumination	Sunlight :10,000Lx, lamplight:3,000Lx
	Withstand voltage	1000 VAC, 50/60 Hz, 1 min.
	Insulation resistance	> 20M Ω (DC500V megger) between current-carrying parts and case
	Anti-vibration	10~55Hz double-amplitude 1.5mmX,Y,Z 2h
	Impact resistance	500 m/s ² (X, Y, Z directions, 3 times)
	Protection degree	IEC IP67
Material	Housing	PBT
	Lens	PMMA